

Safety & comfort are the two watchwords when it comes to blast helmet design and the Nova range of blast helmets win on both parts. All our helmets are designed for your comfort and safety; lightweight and abrasive resistant and built with a tough helmet shell.

Meeting the ISO 9001 and NIOSH standards and providing hearing and eye protection, our blast helmets are ideal for your safety needs.

**Blast Helmet Comparison**



	<b>NOVA 1™*</b>	<b>NOVA 2000®</b>	<b>NOVA 3®</b>
<b>Air supply</b>	SAR	SAR	SAR
<b>Accessories</b>	Nova 1™ Talk™	Nova 2000® Talk™	Nova 3® Talk™ L4™ Light
<b>Head protection</b>	■	■	■
<b>Hearing protection</b>	■	■	■
<b>Eye protection</b>	■	■	■
<b>Cape types</b>	Nylon, leather and blast jacket	Nylon, leather and blast jacket	Nylon, leather and blast jacket
<b>Protection factor</b>	1000	1000	1000
<b>Standards:</b>			
ISO 9001	■	■	■
NIOSH	■	■	■
CE0194	EN12941:1998, A1:2003, A2:2008	EN1459:2005	EN1459:2005, EN12941:1998, A1:2003 A2:2008
ANSI Z87+	EN166:2002	EN166:2002	EN166:2002
ANSI Z89.1	EN397:2012, A1:2012	EN397:2012, A1:2012	EN397:2012, A1:2012
AS/NZS	1716:2012	1716:2012	1716:2012, 1336:2014, 1801:1997

\* The Nova 1™ is not available in North America (USA and Canada)

**Nova 3® Blast Helmets** - strong, robust, durable and comfortable for ultimate performance.

*The Nova 3® Blast Helmet can save you 45 minutes a day with its "Fit and Save™" tear-off lens system.*



- Tough helmet shell, manufactured from engineering grade nylon
- Large panoramic window that provides optimum downward and peripheral vision
- Bellow seal creates a complete barrier to dust and particulates
- Streamlined air system that directs air to the breathe zone, prevents lens fogging and head chill
- Ratchet adjustable padding system creates secure custom fit
- Removable visor for efficient lens replacement
- Clip on cape seal stops abrasives and dust entering the helmet
- Large, glove sized latch that is easy to locate and use
- Allen key located inside helmet is the only tool required for all part replacements

**STANDARDS:**

ISO9001, NIOSH, CE0194 EN1459:2005, CE0194 EN12941:1998, CE0194 A1:2003, CE0194 A2:2008, ANSI Z87+ EN166:2002, ANSI Z89.1 EN397:2012, ANSI Z89.1 A1:2012, AS/NZS 1716:2012, AS/NZS 1336:2014, AS/NZS 1801:1997

## Best in Class Comfort

The Nova 3<sup>®</sup> blast helmet is one of the most comfortable blast helmets in the industry, thanks to the moulded adjustable inner padding system that creates a secure custom fit, spreading the weight evenly to reduce fatigue. Complete with a streamlined air flow system to reduce lens fogging and eliminate head chill by directing air to the breathe zone - the Nova 3<sup>®</sup> lets you blast in comfort for longer.

## Safe by Design

The Nova 3<sup>®</sup> creates a complete barrier to dust, abrasives and particulates entering the helmet, complete with clip on capes to stop abrasives and dust entering the helmet.

Thanks to its enhanced optical design, the Nova 3<sup>®</sup> ensures optimum downward and peripheral vision due to large viewing window. The Nova 3<sup>®</sup> is tested to the highest industry Standards worldwide including NIOSH, ANSI Z87.1 - 2010+ and ANSI Z89.1 - 2012 Type 1 Class C; giving you complete peace of mind.

## Optimise Productivity

When you are not blasting you are not making money, that's why the Nova 3<sup>®</sup> has individually pre-folded visor tabs ensuring you tear off only one lens at a time, saving up to 45 minutes per day, per blaster.



Optimum downward and peripheral vision



Tear off visor tabs with gloved hands



Adjustable inner padding creates a custom fit

### Product Features

	Nova 1™	Nova 2000®	Nova 3®
Lightweight, abrasive resistant, tough helmet shell	■	■	■
"Fit and Save"™ Tear-off lens system	■	■	■
Streamlined air system to prevent lens fogging and head chill	■	■	■
Outer, intermediate (optional), and inner lenses	■	■	■
Replaceable sound deadening foam padding	■	■	■
Prevents abrasive and dust ingress	■	■	■
Low Flow Indicator	■	■	■
Large curved window for optimum visibility		■	■
Even weight distribution to prevent fatigue		■	■
One click inner lens replacement			■
Ratchet adjustable padding system for custom fit			■
Optional communication system	Nova 1™ Talk™	Nova 2000® Talk™	Nova 3® Talk™
Optional helmet light system			L4™ Light System

### Part Numbers

Part Number	Description
<b>MT371150</b>	Nova 3 <sup>®</sup> Blast Helmet (CE) Supplied with Constant Flow Valve & Nylon Respirator Cape - For Global Markets
<b>MT370250</b>	Nova 3 <sup>®</sup> Blast Helmet (NIOSH) Supplied with Constant Flow Valve & Nylon Respirator Cape - For North American Markets

**L4™ Light**



L4™ Light on Nova 3®

Ideal for blasters in tanks and other confined spaces where light is scarce. The light mounts securely to the top of the Nova 3® respirator, providing light wherever the operator looks.

**Part Numbers**

Part Number	Description
<b>MT09520N</b>	L4™ Helmet Blast Light Assembly - For North American Markets
<b>MT09520</b>	L4™ Light Mounting Clip
<b>MT09522</b>	L4™ Light Outer Lens (x10)
<b>MT09524</b>	L4™ Light Cable
<b>MT09525</b>	L4™ Light Battery Charger
<b>MT09021N</b>	L4™ Light Power Cable - For North American Markets
<b>MT095322</b>	L4™ Light Battery Pack

**C40™ Climate Control**



C40™ Climate Control

The C40™ Climate Control Device lets the user switch from heating to cooling effortlessly, ensuring optimal levels of comfort.

**Part Numbers**

Part Number	Description
<b>MT03501</b>	C40 Climate Control Device - For North American Market (NIOSH)

**Nova 3® Talk™**



Nova 3® Talk™

The Nova 3® Talk™ is a wireless communication system ideal for crew on tanks, in shipyards, water towers and areas that are difficult to access.

**Part Numbers**

Part Number	Description
<b>MT09903</b>	Nova 3® Talk™ - In-Helmet Communication Upgrade Kit
<b>MT09930</b>	Motorola Connection Cable for Two Pin Radios
<b>MT09931</b>	Motorola Connection Cable for Multi Pin Radios
<b>MT09932</b>	Motorola Connection Cable for Multi Pin Radios
<b>MT09933</b>	Kenwood Connection Cable for Two Pin Radios
<b>MT09934</b>	Motorola Connection Cable for Multi Pin Radios
<b>MT09935</b>	Motorola Connection Cable for Single Pin Radios
<b>MT09936</b>	Kenwood Connection Cable for Multi Pin Radios
<b>MT09937</b>	Motorola Connection Cable (x10 connector)
<b>MT09938</b>	Nova Talk™ Cable for VX-261 Radio
<b>MT09939</b>	Nova Talk™ Cable for Apex Icom IC-F4002 Radio

**Nova 3® Flow Control Valve & Breathing Tube**



Nova 3® Flow Control Valve

The Nova 3® Flow Control Valve with belt connects the breathe air supply from the air filter to the breathing tube of the Nova 3® helmet.

**Part Numbers**

Part Number	Description
<b>MT2016</b>	Flow Control Valve - For North American Market (NIOSH)
<b>MT2021B</b>	Nova 3® Breathing Tube
<b>MT3729</b>	Nova 3® Air Inlet Kit
<b>MT37292</b>	Nova 3® Low Flow Indicator Adaptor
<b>MT2022</b>	Flow Control Valve Belt complete with Buckles
<b>MT03101</b>	Constant Flow Valve Assembly - For North American Market (NIOSH)

## Nova 3® Hygiene Kits

The Nova 3® hygiene kits are available in a range of sizes and include a new headliner, neck pad, side padding, side padding covers and two alcohol pads to refresh your helmet.

### Part Numbers

Part Number	Description
<b>MT3736A05</b>	Nova 3® Hygiene Kit, Size A-05
<b>MT3736A10</b>	Nova 3® Hygiene Kit, Size A-10
<b>MT3736A15</b>	Nova 3® Hygiene Kit, Size A-15
<b>MT3736A20</b>	Nova 3® Hygiene Kit, Size A-20



Nova 3® Hygiene Kit

## Nova 3® Capes and Jackets

### Part Numbers

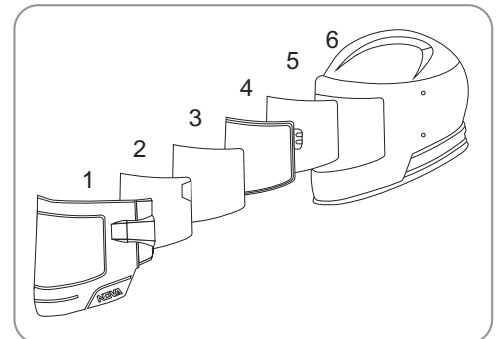
Part Number	Description
<b>MT3750</b>	Nova 3® Nylon Respirator Cape
<b>MT3751</b>	Nova 3® Extra Length Nylon Respirator Cape
<b>MT3752</b>	Nova 3® Leather Respirator Cape
<b>MT3753</b>	Nova 3® Extra Length Leather Respirator Cape
<b>MT3754</b>	Nova 3® Blast Jacket - XL
<b>MT3755</b>	Nova 3® Blast Jacket - XXL
<b>MT3759</b>	Nova 3® Cape Cover Band
<b>MT07900</b>	Nova 3® Adjustable Head Support



## Nova 3® Lens System

### Part Numbers

ID	Part Number	Description
1	<b>MT3726</b>	Nova 3® Visor Kit (includes Hinge & Latch)
2	<b>MT3725</b>	Nova 3® Tear-off Lens (x50)
3	<b>MT3724</b>	Nova 3® Outer Lens (x50)
4	<b>MT3723</b>	Nova 3® Inner Lens Frame
5	<b>MT3722</b>	Nova 3® Inner Lens (x10)
	<b>MT30267</b>	Nova 3® Tinted Inner Lens (x10)
6	<b>MT3721</b>	Nova 3® Inner Gasket
	<b>MT37278</b>	Nova 3® Visor Mount Kit
	<b>MT37272</b>	Nova 3® Hinge Lock
	<b>MT30269</b>	Nova 3® Cassette Lens (x25)



## Nova 3® Blast Helmet Spares

### Part Numbers

Part Number	Description	Part Number	Description
<b>MT3730</b>	Nova 3® Padding Connectors (left & right)	<b>MT3733</b>	Nova 3® Side Padding Covers (x5)
<b>MT3731</b>	Nova 3® Side Padding Frames (left & right)	<b>MT3733TK</b>	Nova 3® Talk™ Side Padding Covers (x5)
<b>MT3732A05</b>	Nova 3® Side Padding Foam & Covers, Size A-05	<b>MT3734</b>	Nova 3® Head Liner Kit (includes MT37341)
<b>MT3732A10</b>	Nova 3® Side Padding Foam & Covers, Size A-10	<b>MT37341</b>	Nova 3® Head Liner Clips (x4)
<b>MT3732A15</b>	Nova 3® Side Padding Foam & Covers, Size A-15	<b>MT3735</b>	Nova 3® Head Liner Foam Padding
<b>MT3732A20</b>	Nova 3® Side Padding Foam & Covers, Size A-20	<b>MT37351</b>	Nova 3® Neck Pad