

User Guide

Elcometer Media Valves - ASME

Flat Valve (FV) Mini Flat Valve (MFV)

Section	Page
1 Elcometer MF: Drawings & Parts List	en-1
2 Elcometer MFV: Drawings & Parts List	en-3



⚠ WARNING

Before carrying out any replacement or maintenance of any part of the Abrasive Blast Machine (ABM) or any item within the Abrasive Blast System, please read and understand the User Guide for the Abrasive Blast Machine.

Failure to follow operating instructions could result in death, serious injury or damage to equipment.

1 ELCOMETER FV: DRAWINGS & PARTS LIST

Part Number	Description
FV-N	Elcometer Flat Valve (FV) - NPT Thread



Technical Specification

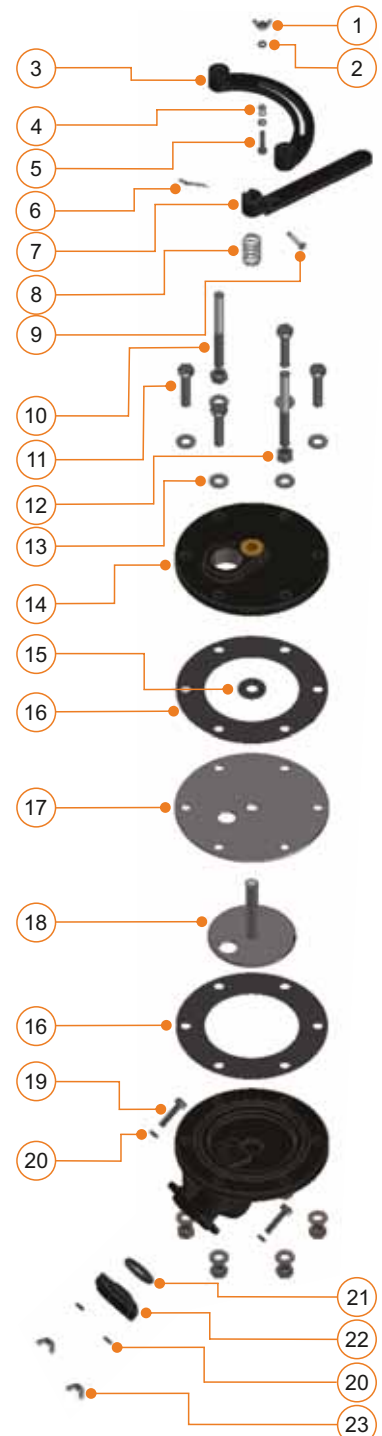
Operating Temperature	32°F to 140°F (0°C to 60°C)
Maximum Working Pressure	217psi (15bar)
Compatible with Models	1440, 1460, 20100, 24200, 24285, 20100H, 24200H, 24285H

ELCOMETER FV SPARE PARTS

Item	Part Number	Description
3	MT28578	Elcometer FV Level Handle Guide
7	MT30006	Elcometer FV Handle
14	MT30078N	Elcometer FV Top Plate
17	MT30079	Elcometer FV Middle Plate
22	MT30080	Elcometer FV Bottom Cover

ELCOMETER FV SERVICE KITS

Item	Part Number	Description
-	MT30153	Elcometer FV Service Kit 1 (contains the items listed below)
6	-	Steel Safety Clip
8	-	Spring
9	-	Handle Pin
15	-	Top Plate Gasket
16	-	Gasket (x2)
18	-	Shut off Plate and Shaft
21	-	Bottom Cover Gasket
-	MT30053	Elcometer FV Service Kit 2 (contains the items listed below)
1	-	M6 Wing Nut
2	-	M6 Washer (x2)
4	-	M6 x 11 Spacer
5	-	M6 x 30 Bolt
10	-	M12 Long Bolt (x2)
11	-	M12 x 50 Bolt (x4)
12	-	M12 Nut (x8)
13	-	M12 Washer (x12)
19	-	M8 x 35 Bolt (x2)
20	-	M8 Washer (x4)
23	-	M6 Wing Nut (x2)



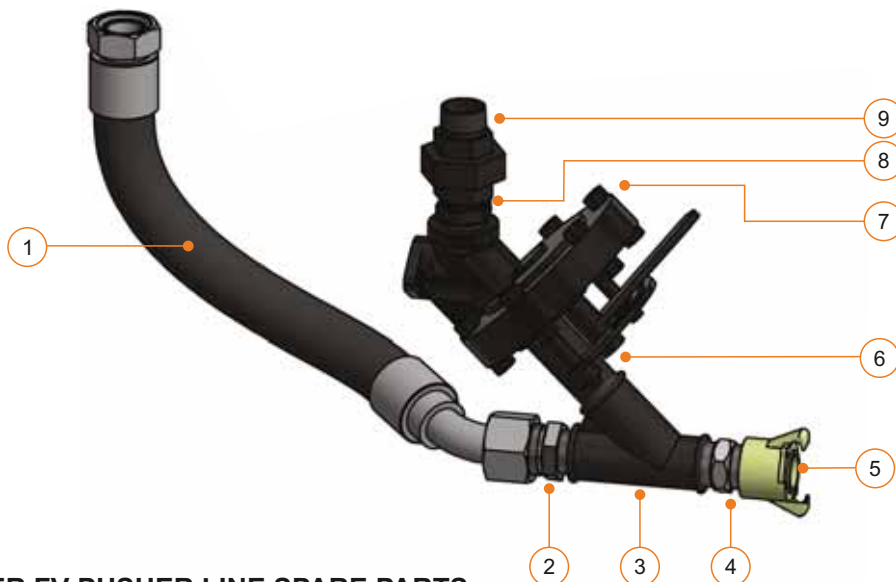
1 ELCOMETER FV: DRAWINGS & PARTS LIST (continued)

Part Number	Description
-	Elcometer Flat Valve (FV) Pusher Line Full Assembly for
MT30068-1N	Elcometer 1440 Abrasive Blast Machines
MT30068-2N	Elcometer 1460 Abrasive Blast Machines
MT30068-3N	Elcometer 20100 Abrasive Blast Machines
MT30068-4N	Elcometer 24200 Abrasive Blast Machines
MT30068-5N	Elcometer 24285 Abrasive Blast Machines

All supplied complete with Pusher Line, 45° Mixer, Elcometer Flat Valve (FV), Pot Union, Pot Coupling and Airline Assembly

Technical Specification

Operating Temperature	32°F to 140°F (0°C to 60°C)
Maximum Working Pressure	217psi (15bar)



ELCOMETER FV PUSHER LINE SPARE PARTS

Item	Part Number	Description
1	-	Elcometer FV 1½" Pusher Line Assembly (217psi / 15bar) complete with Swaged Hose for
	MT28609-2N	Elcometer 1440 Abrasive Blast Machines
	MT28609-4N	Elcometer 1460 Abrasive Blast Machines
	MT28609-6N	Elcometer 20100 Abrasive Blast Machines
	MT28609-7N	Elcometer 24200 & 24285 Abrasive Blast Machines
2	MT30019N	1 7/8" Male JIC to 1¼" Male NPT Adaptor
3	MT28562N	1¼" 45° Equal T - Rubber Lined
4	MT30009N	1¼" Forged Hex Nipple 3000lb
5	MT30010N	1¼" Pot Claw Coupling
6	MT30011N	1¼" Nipple
7	FV-N	Elcometer Flat Valve (FV) - NPT Thread
8	MT30012N	1¼" Hex Nipple
9	MT30013N	1¼" Male / Female Equal Union

2 ELCOMETER MFV: DRAWINGS & PARTS LIST

Part Number	Description
MFV-N	Elcometer Mini Flat Valve (MFV) - NPT Thread



Technical Specification

Operating Temperature	32°F to 140°F (0°C to 60°C)
Maximum Working Pressure	217psi (15bar)
Compatible with Models	1020

ELCOMETER MFV SPARE PARTS

Item	Part Number	Description
4	MT30150N	Elcometer MFV Shut Off Valve Assembly
5	MT30152	Elcometer MFV Gasket
6	MT30151N	Elcometer MFV Bottom Plate

ELCOMETER MFV SERVICE KITS

Item	Part Number	Description
-	MT30054	Elcometer MFV Service Kit 1 (contains the items listed below)
1	-	M8 Nut (x4)
2	-	M8 Washer (x8)
3	-	M8 Pusher Washer (x4)
7	-	M8 x 50 Bolt (x4)



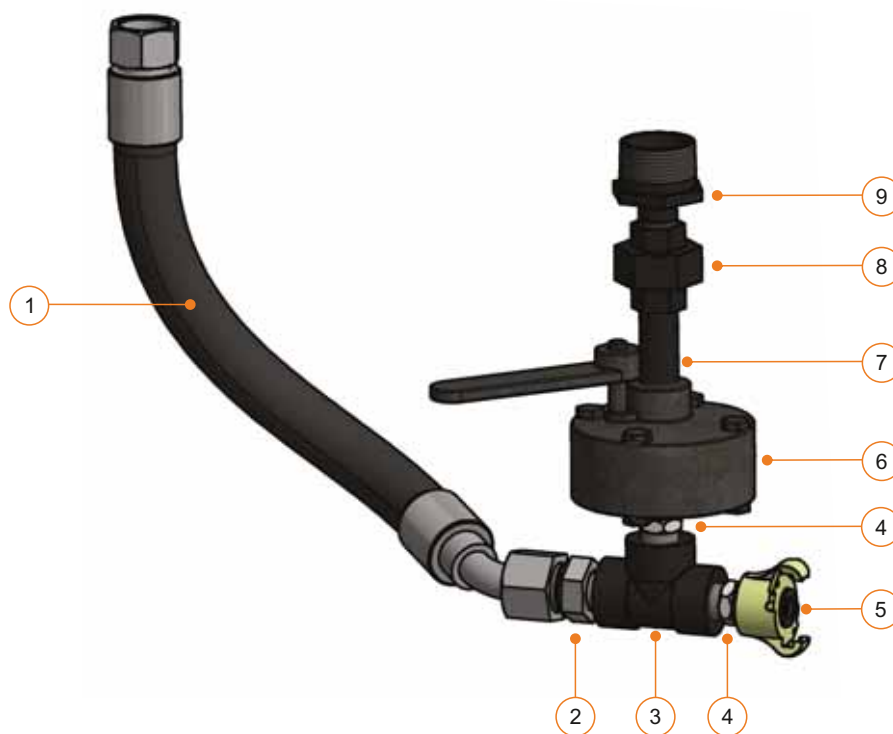
2 ELCOMETER MFV: DRAWINGS & PARTS LIST (continued)

Part Number	Description
MT30069N	Elcometer Mini Flat Valve (MFV) Pusher Line Full Assembly for Elcometer 1020 Abrasive Blast Machines

All supplied complete with Pusher Line, 45° Mixer, Elcometer Mini Flat Valve (MFV), Pot Flange, Pot Coupling and Airline Assembly

Technical Specification

Operating Temperature	32°F to 140°F (0°C to 60°C)
Maximum Working Pressure	217psi (15bar)



ELCOMETER MFV PUSHER LINE SPARE PARTS

Item	Part Number	Description
1	MT28608-1N	Elcometer MFV 3/4" Pusher Line Assembly (217psi / 15bar) complete with Swaged Hose for Elcometer 1020 Abrasive Blast Machines
2	MT28540N	3/4" JIC x 1/2" Adaptor
3	MT28563N	1/2" Flanged Equal T
4	MT29224N	1/2" Forged Hex Nipple 3000lb
5	MT30090N	1/2" Pot Claw Coupling
6	MFV-N	Elcometer Mini Flat Valve (MFV) - NPT Thread
7	MT28567N	1/2" Nipple - 60mm Long
8	MT30020N	1/2" Female / Female Union Taper Seat
9	MT30021N	1 1/4" to 1/2" Reducing Hex Nipple

For the avoidance of doubt, please refer to the original English language version of this user guide. The most recent version is available to download via the blasting section of the Elcometer website, www.elcometer.com/blasting.

Please ensure that all product packaging is disposed of in an environmentally sensitive manner. Consult your local Environmental Authority for further guidance.

elcometer® is a registered trademark of Elcometer Limited, Edge Lane, Manchester, M43 6BU.
United Kingdom

All other trademarks acknowledged.

© Elcometer Limited 2019-2020. All rights reserved. No part of this document may be reproduced, transmitted, transcribed, stored (in a retrieval system or otherwise) or translated into any language, in any form or by any means (electronic, mechanical, magnetic, optical, manual or otherwise) without the prior written permission of Elcometer Limited.

