

**Elcometer GV**  
**General Valve**

The **Elcometer GV General Valve** ensures precise abrasive metering for an even, regulated flow. With its long life rubber liner it's highly durable, extremely fast and easy to service - reducing downtime.



Media flow indicator and rubber liner wear indicator

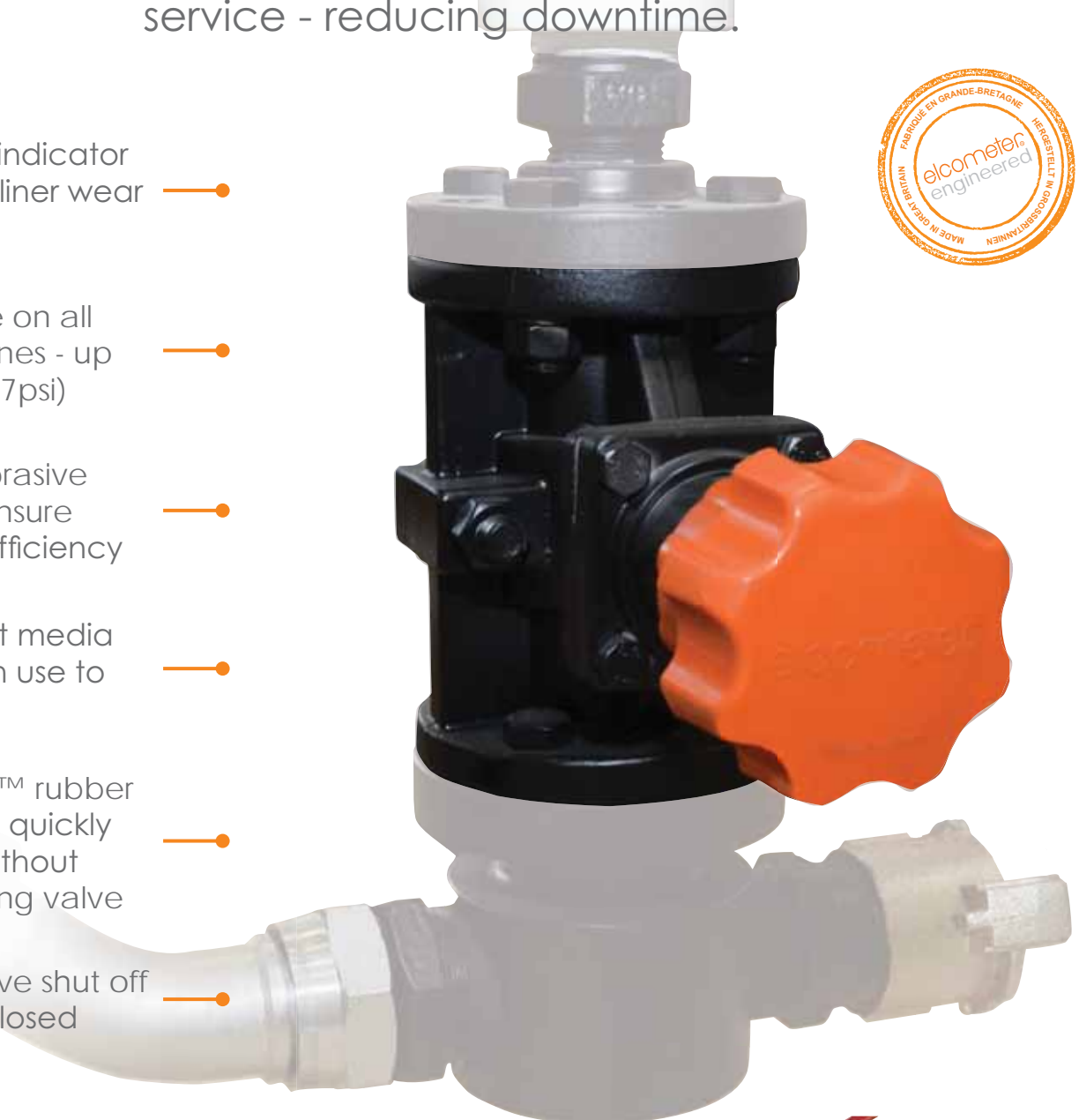
Ideal for use on all blast machines - up to 15bar (217psi)

Precision abrasive control to ensure maximum efficiency

Safely adjust media flow when in use to save time

elcoTOUGH™ rubber liner can be quickly replaced without disconnecting valve

100% abrasive shut off when fully closed



Replace the elcoTOUGH™ rubber valve liner with just 2 bolts



Can be upgraded to an Elcometer AGV using a conversion kit

Suitable for all media types, the design prevents the valve body from coming into contact with the abrasive stream as the abrasive stream flows through the elcoTOUGH™ rubber valve liner, which may be quickly replaced when worn.

### Efficient

With a built-in media flow indicator the Elcometer general valves allow the operator to adjust the media flow when in use, ensuring precise abrasive metering for an even, regulated flow.



### Easy to Use

Accurate, wear resistant and suitable for all abrasive media types, the Elcometer general valves are ideal for metering heavy or aggressive abrasive materials, such as steel shot, grit or aluminium oxide.



### Flexible

Available in two versions, the Elcometer Mini General Valve (MGV) for the Elcometer 1020 Blast Machine and the larger 1" (25mm) Elcometer General Valve (GV) which fits most abrasive blast machines on the market.



#### Elcometer General Valve

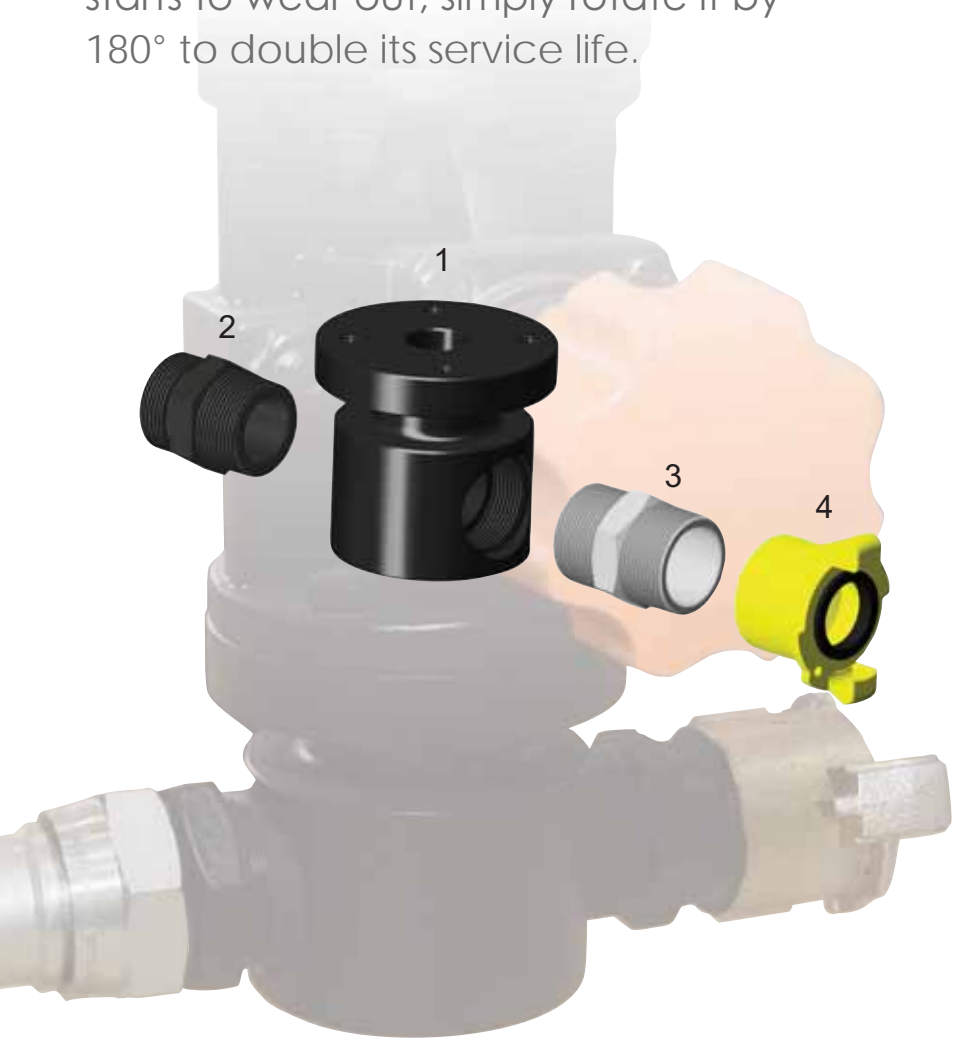
#### Elcometer GV

#### Part Numbers

Part Number	Description
<b>GV-N</b>	Elcometer General Valve - complete with elcoTOUGH™ Rubber Valve Liner
<b>MGV-N</b>	Elcometer Mini General Valve for use with Elcometer 1020 - complete with Mini elcoTOUGH™ Rubber Valve Liner

Mixer T

The Elcometer Mixer T is made from ultra-hard wearing machined steel so that it lasts longer and, when it starts to wear out, simply rotate it by 180° to double its service life.



- Connects to the base of GV & AGV abrasive media valves, allowing abrasive media to mix with air from the pusher line
- Machined from a solid piece of hard wearing steel
- Internal shoulder prevents grit from entering thread, minimising wear & maximising lifetime

Part Numbers

#	Part Number	Description
1	<b>MT28553N</b>	1½" (38mm) Mixer T for Elcometer GV and AGV Abrasive Media Valves

Spare Parts

#	Part Number	Description
2	<b>MT29710N</b>	1½" (38mm) NPTF Male x 7/8 JIC Male Adaptor
3	<b>MT29014N</b>	1½" (38mm) NPT Forged Hex Nipple 3000lb
4	<b>MT30002N</b>	1½" (38mm) NPT Pot Coupling for Elcometer ABM

**elcoTOUGH™ Elcometer elcoTOUGH™ Rubber Valve Liner**

The elcoTOUGH™ liners last more than 3 times longer and can be quickly replaced without removing the valve from the machine.



Made from tough, abrasion resistant natural rubber

Ideal for metering all types of abrasive materials

The elcoTOUGH™ rubber liner can be quickly replaced without disconnecting the valve



Part Numbers	
Part Number	Description
Standard Valve Liner	
<b>GV-LINER1</b>	1" (25mm) GV & AGV elcoTOUGH™ Rubber Valve Liner (x1)
<b>GV-LINER5</b>	1" (25mm) GV & AGV elcoTOUGH™ Rubber Valve Liner (x5)
<b>GV-LINER20</b>	1" (25mm) GV & AGV elcoTOUGH™ Rubber Valve Liner (x20)
Mini Valve Liner	
<b>MGV-LINER1</b>	½" (13mm) MGV elcoTOUGH™ Rubber Valve Liner (x1)
<b>MGV-LINER5</b>	½" (13mm) MGV elcoTOUGH™ Rubber Valve Liner (x5)
<b>MGV-LINER20</b>	½" (13mm) MGV elcoTOUGH™ Rubber Valve Liner (x20)

**Mini Flanged T**

The Elcometer Mini Flanged T connects to the base of the Elcometer Mini General Valve (MGV) used on the Elcometer 1020, allowing abrasive media to mix with the air from the pusher line.



**Part Numbers**

Part Number	Description
<b>MT29246N</b>	½" (13mm) Flanged & Equal T Assembly for use with Elcometer MGV Mini General Valve

**8 Hole Pot Flange**

The Elcometer 8 Hole Pot Flange has 8 holes to ensure accurate orientation of the media valve without having to over tighten the flange into the pot coupling.



**Part Numbers**

Part Number	Description
<b>MT28536N</b>	1¼" to ½" (32mm to 13mm) Reducing Nipple Flange Assembly for Elcometer 1020 for use with MGV Abrasive Valve
<b>MT28552N</b>	1¼" to 1" (32mm to 25mm) Reducing Nipple Flange Assembly for Elcometer Blast Machines using the GV or AGV Abrasive Valves
<b>MT30021N</b>	1¼" to ½" (32mm to 13mm) Reducing Hex Nipple
<b>MT30530N</b>	½" (13mm) Flange
<b>MT30528N</b>	1¼" to 1" (32mm to 25mm) Reducing Hex Nipple
<b>MT29553N</b>	1" (25mm) Flange

Elcometer GV

GV-AGV Conversion Kit

The **Elcometer GV Conversion Kit** converts an Elcometer GV general valve into an automatic general valve, giving you precision abrasive control and fail-safe shut down of both the blast stream and media flow.

- Easy to retrofit to the Elcometer GV general valves
- Fail-safe feature that quickly shuts off both the blast stream and media flow at the handle
- Stops abrasive from exiting the blast pot when the deadman's handle is released
- Safely adjust media flow, even during blasting



Part Numbers

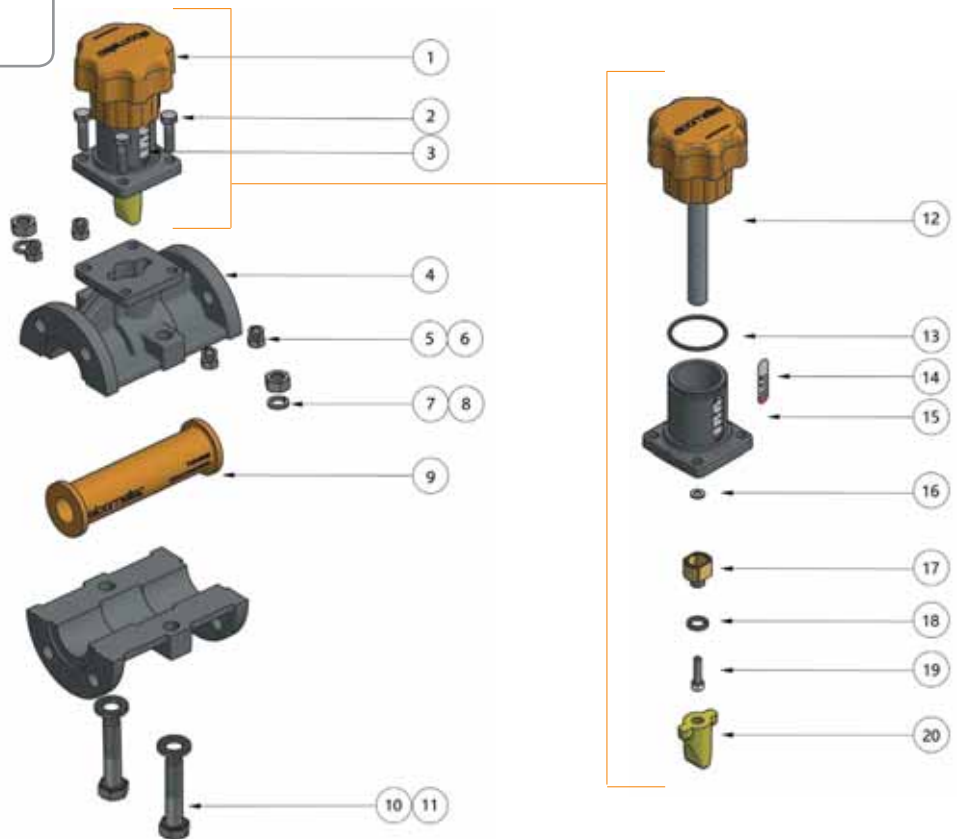
Part Number	Description
<b>GVAGV-KITN</b>	GV-AGV Conversion Kit

Elcometer GV

Elcometer General Valve



Part Number	Description
<b>GV-N</b>	Elcometer General Valve - NPT Thread



Spare Parts

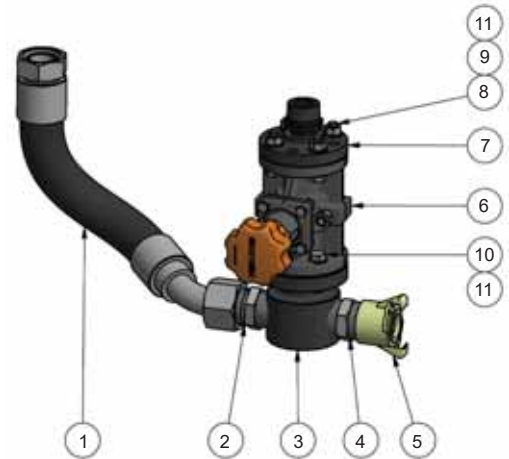
Item	Part Number	Description	Item	Part Number	Description
1	<b>MT28557</b>	GV Valve Stem Assembly	11	<b>KIT 2</b>	M12 x 70 Zinc Plated Hex Bolt (x2)
2	<b>KIT 1</b>	M8 x 30 Zinc Plated Hex Head Bolt (x4)	12	<b>MT30166</b>	GV Valve Handwheel & Shaft
3	<b>KIT 3</b>	GV Valve Indicator Label	13	<b>KIT 3</b>	O Ring 3mm Cord x 44.5 ID
4	<b>MT29993</b>	GV Valve Housing Body	14	<b>KIT 3</b>	General Valve Indicator Label
5	<b>KIT 1</b>	M8 Steel Spring Washer (x4)	15	<b>MT30076</b>	General Valve Stem Housing
6	<b>KIT 1</b>	M8 Zinc Plated Steel Nut (x4)	16	<b>KIT 3</b>	M6 Flat Nylon Washer
7	<b>KIT 2</b>	M12 Steel Spring Washer (x2)	17	<b>MT30077</b>	Valve Nut
8	<b>KIT 2</b>	M12 Zinc Plated Steel Nut (x2)	18	<b>KIT 3</b>	M12 Steel Spring Washer
9	<b>GV-LINER1</b>	Rubber Valve Liner	19	<b>KIT 3</b>	M6 x 25 Cap HD SKT Screw, ST STL
10	<b>KIT 2</b>	M12 Zinc Plated Steel Washer (x2)	20	<b>MT30001</b>	Valve Plunger

Service Kits

Part Number	Description
<b>MT30049</b>	GV Service Kit 1 (contains items 2, 5 & 6)
<b>MT30045N</b>	GV Service Kit 2 (contains items 7, 8, 10 & 11)
<b>MT30050</b>	GV Service Kit 3 (contains items 13, 14, 16, 18 & 19)

**Technical Specification**

Operating Temperature	0° to 60°C
Max Working Pressure (WP)	15bar (217psi)



**Part Numbers**

Part Number	Description
<b>MT30066-1N</b>	Elcometer 1440 Full GV Assembly complete with Pusher Line, Mixer T, GV General Valve, Pot Flange, Pot Coupling & Airline Assembly
<b>MT30066-2N</b>	Elcometer 1460 Full GV Assembly complete with Pusher Line, Mixer T, GV General Valve, Pot Flange, Pot Coupling & Airline Assembly
<b>MT30066-3N</b>	Elcometer 20100 Full GV Assembly complete with Pusher Line, Mixer T, GV General Valve, Pot Flange, Pot Coupling & Airline Assembly
<b>MT30066-4N</b>	Elcometer 24200 Full GV Assembly complete with Pusher Line, Mixer T, GV General Valve, Pot Flange, Pot Coupling & Airline Assembly
<b>MT30066-5N</b>	Elcometer 24285 Full GV Assembly complete with Pusher Line, Mixer T, GV General Valve, Pot Flange, Pot Coupling & Airline Assembly

**Spare Parts**

Item	Description	Part Number				
		Model 1440	Model 1460	Model 20100	Model 24200	Model 24285
1	1½" 15bar Pusher Line Assembly complete with JIC Swaged Hose	<b>MT28609-1N</b>	<b>MT28609-3N</b>	<b>MT28609-5N</b>	<b>MT28609-6N</b>	<b>MT28609-6N</b>
2	1½" (19mm) NPTF Male x ¾" JIC Male Adaptor			<b>MT29710N</b>		
3	1 ½" Mixer T			<b>MT28553N</b>		
4	1½" Forged Hex Nipple 3000lb			<b>MT29014N</b>		
5	1½" Claw Coupling			<b>MT30002N</b>		
6	GV Main Assembly			<b>GV-N</b>		
7	1¼" to 1" Reducing Nipple Flange Assembly			<b>MT28552N</b>		
8	M12 x 50 Zinc Plated Hex Bolt (x4)			<b>KIT 5</b>		
9	M12 Zinc Plated Steel Nut (x4)			<b>KIT 5</b>		
10	M12 x 40 Zinc Plated Hex Bolt (x4)			<b>KIT 5</b>		
11	M12 Zinc Plated Steel Washer Grade A (x12)			<b>KIT 5</b>		
	GV Service Kit 5 (contains items 8, 9, 10 & 11)			<b>MT30048N</b>		

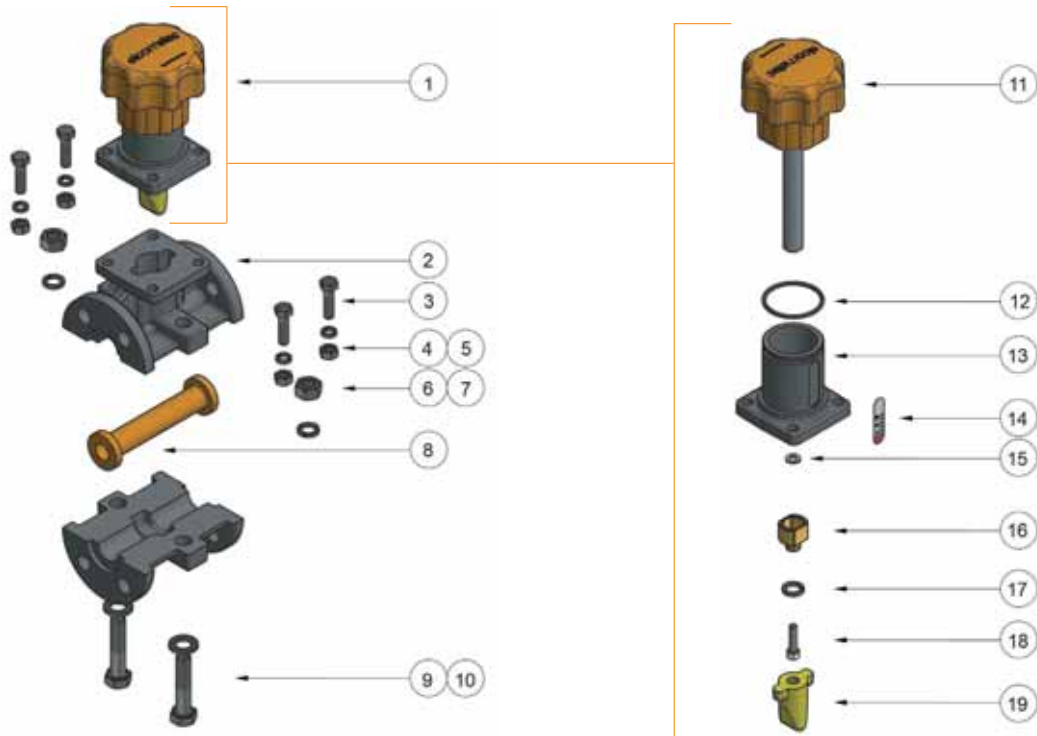


Elcometer MGV

Elcometer Mini General Valve



Part Number	Description
<b>MGV-N</b>	Elcometer Mini Flat Valve for use with Elcometer 1020



Spare Parts

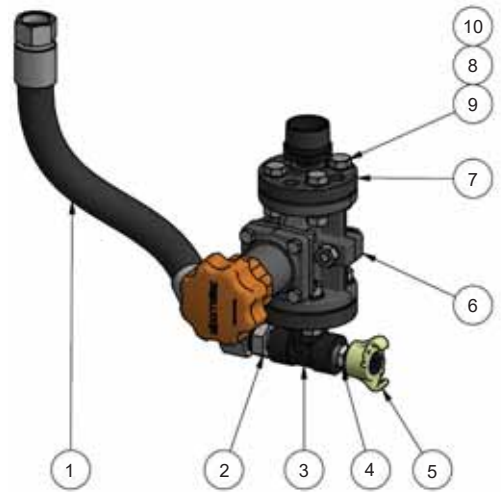
Item	Part Number	Description	Item	Part Number	Description
1	<b>MT28541</b>	Mini General Valve Stem Assembly	11	<b>MT30167</b>	MGV Valve Handwheel & Shaft
2	<b>MT30003</b>	Mini General Valve Housing Body	12	<b>KIT 3</b>	O Ring 3mm Cord x 44.5 ID
3	<b>KIT 1</b>	M8 x 30 Zinc Plated Hex Head Bolt (x4)	13	<b>MT30076</b>	MGV Stem Housing
4	<b>KIT 1</b>	M8 Zinc Plated Steel Nut (x4)	14	<b>KIT 3</b>	Mini General Valve Indicator Label
5	<b>KIT 1</b>	M8 Steel Spring Washer (x4)	15	<b>KIT 3</b>	M6 Flat Nylon Washer
6	<b>KIT 2</b>	M12 Zinc Plated Steel Nut (x2)	16	<b>MT30077</b>	Valve Nut
7	<b>KIT 2</b>	M12 Steel Spring (x2)	17	<b>KIT 3</b>	M12 Steel Spring Washer
8	<b>MGV-LINER1</b>	Mini Rubber Valve Liner	18	<b>KIT 3</b>	M6 x 25 Cap HD SKT Screw, ST STL
9	<b>KIT 2</b>	M12 x 50 Zinc Plated Hex Bolt (x2)	19	<b>MT30005</b>	Mini Valve Plunger
10	<b>KIT 2</b>	M12 Zinc Plated Steel Washer Grade A (x2)			

Service Kits

Part Number	Description
<b>MT30049</b>	MGV Service Kit 1 (contains items 3, 4 & 5)
<b>MT30046N</b>	MGV Service Kit 2 (contains items 6, 7, 9 & 10)
<b>MT30051</b>	MGV Service Kit 3 (contains items 12, 14, 15, 17 & 18)

**Technical Specification**

Operating Temperature	0° to 60°C
Max Working Pressure (WP)	15bar (217psi)



**Part Numbers**

Part Number	Description
<b>MT30067N</b>	Elcometer 1020 Full MGV Assembly complete with Pusher Line, Mixer T, MGV Mini General Valve, Pot Flange, Pot Coupling & Airline Assembly

**Spare Parts**

Item	Part Number	Description
1	<b>MT28608-1N</b>	¾" 15bar Pusher Line Assembly complete with JIC Swaged Hose
2	<b>MT28540N</b>	¾" JIC x ½" NPT Adaptor
3	<b>MT29246N</b>	½" Flanged Equal T Assembly
4	<b>MT29224N</b>	½" Forged Hex Nipple 3000lb
5	<b>MT30090N</b>	½" Claw Coupling
6	<b>MGV-N</b>	MGV Main Assembly
7	<b>MT28536N</b>	1¼" to ½" Reducing Nipple Flange Assembly
8	<b>KIT 4</b>	½" (M12) Zinc Plated Steel Nut (x8)
9	<b>KIT 4</b>	½" (M12 x 45) Zinc Plated Hex Bolt (x8)
10	<b>KIT 4</b>	½" (M12) Zinc Plated Steel Washer Grade A (x16)
	<b>MT30052N</b>	MGV Service Kit 4 (contains items 8, 9 & 10)