

Elcometer GV
General Valve

The **Elcometer GV General Valve** ensures precise abrasive metering for an even, regulated flow. With its long life rubber liner it's highly durable, incredibly fast and easy to service - reducing downtime.



Media flow indicator and rubber liner wear indicator

Ideal for use on all blast machines - up to 15bar (217psi)

Precision abrasive control to ensure maximum efficiency

Safely adjust media flow when in use to save time

ElcoTOUGH™ rubber liner can be quickly replaced without disconnecting valve

100% abrasive shut off when fully closed



Replace the elcoTOUGH™ rubber valve liner with just 2 bolts



Can be upgraded to an Elcometer AGV using an upgrade kit

Suitable for all media types, the design prevents the valve body from coming into contact with the abrasive stream as the abrasive stream flows through the elcoTOUGH™ rubber valve liner, which may be quickly replaced when worn.

Efficient

With a built in media flow indicator the Elcometer general valves allow the operator to adjust the media flow when in use, ensuring precise abrasive metering for an even, regulated flow.



Easy to Use

Accurate, wear resistant and suitable for all abrasive media types, the Elcometer General Valve is ideal for metering heavy or aggressive abrasive materials, such as steel shot, grit or aluminium oxide.



Flexible

Available in two versions, the Elcometer Mini General Valve (MGV) for the Elcometer 1020 Blast Machine and the larger 1" (25mm) Elcometer General Valves (GV) fit most abrasive blast machines on the market.



Elcometer General Valve

Elcometer GV

Part Numbers

Part Number	Description
GV-B	Elcometer General Valve - complete with elcoTOUGH™ Rubber Valve Liner
MGV-B	Elcometer Mini General Valve for use with Elcometer 1020 - complete with Mini elcoTOUGH™ Rubber Valve Liner

Mixer T

The Elcometer Mixer T is made from ultra-hard wearing machined steel so that they last longer, and when it starts to wear out, simply rotate it by 180° to double its service life.



- Connects to the base of GV & AGV abrasive media valves, allowing abrasive media to mix with air from the blast hose
- Machined from a solid piece of hard wearing steel
- Internal shoulder prevents grit from entering thread, minimising wear & maximising lifetime

Part Numbers

#	Part Number	Description
1	MT28553	1 ½" (38mm) Mixer T for Elcometer GV and AGV Abrasive Media Valves

Spare Parts

#	Part Number	Description
2	MT29710	1 ½" (38mm) Male/Male Adaptor - 60° CONE
3	MT29014	1 ½" (38mm) BSP Forged Hex Nipple 3000lb
4	MT30002	Elcometer ABM 1 ½" (38mm) BSP Pot Coupling

elcoTOUGH™ Elcometer elcoTOUGH™ Rubber Valve Liner

The **elcoTOUGH™** liners last more than 3 times longer and can be quickly replaced without removing the valve from the machine.



Made from tough, abrasion resistant natural rubber

Ideal for metering all types of abrasive materials

The ElcoTOUGH™ rubber liner can be quickly replaced without disconnecting the valve



Part Numbers

Part Number	Description
Standard Valve Liner	
GV-LINER1	1" (25mm) GV & AGV ElcoTOUGH™ Rubber Valve Liner (x1)
GV-LINER5	1" (25mm) GV & AGV ElcoTOUGH™ Rubber Valve Liner (x5)
GV-LINER20	1" (25mm) GV & AGV ElcoTOUGH™ Rubber Valve Liner (x20)
Mini Valve Liner	
MGV-LINER1	½" (13mm) MGV ElcoTOUGH™ Rubber Valve Liner (x1)
MGV-LINER5	½" (13mm) MGV ElcoTOUGH™ Rubber Valve Liner (x5)
MGV-LINER20	½" (13mm) MGV ElcoTOUGH™ Rubber Valve Liner (x20)

Mini Flanged T

The Elcometer Mini Flanged T connects to the base of the Elcometer Mini Grit Valve (MGV) used on the Elcometer 1020, allowing abrasive media to mix with the air from the blast hose.



Part Numbers

Part Number	Description
MT29246	½" (13mm) Flange & Equal T Assembly for use with Elcometer MGV Mini General Valve

8 Hole Pot Flange

The Elcometer 8 Hole Pot Flange has 8 holes to ensure accurate orientation of the media valve without having to over tighten the flange into the pot coupling.



Part Numbers

Part Number	Description
MT28536	1¼" to ½" (32mm to 13mm) Reducing Nipple Flange Assembly for Elcometer 1020 for use with MGV Abrasive Valve
MT28552	1¼" to 1" (32mm to 25mm) Reducing Nipple Flange Assembly for Elcometer Blast Machines using the GV or AGV Abrasive Valves
MT30021	1¼" to ½" (32mm to 13mm) Reducing Hex Nipple
MT30530	½" (13mm) Flange
MT30528	1¼" to 1" (32mm to 25mm) Reducing Hex Nipple
MT29553	1" (25mm) Flange

Elcometer GV

GV-AGV Conversion Kit

The **Elcometer GV Conversion Kit** converts an Elcometer GV general valve into an automatic general valve, giving you precision abrasive control and fail-safe shut down of both the blast stream and media flow.

- Easy to retrofit to the Elcometer GV general valves
- Fail-safe feature that quickly shuts off both the blast stream and media flow at the handle
- Stops abrasive from exiting the blast pot when the deadman's handle is released
- Safely adjust media flow, even during blasting



Part Numbers

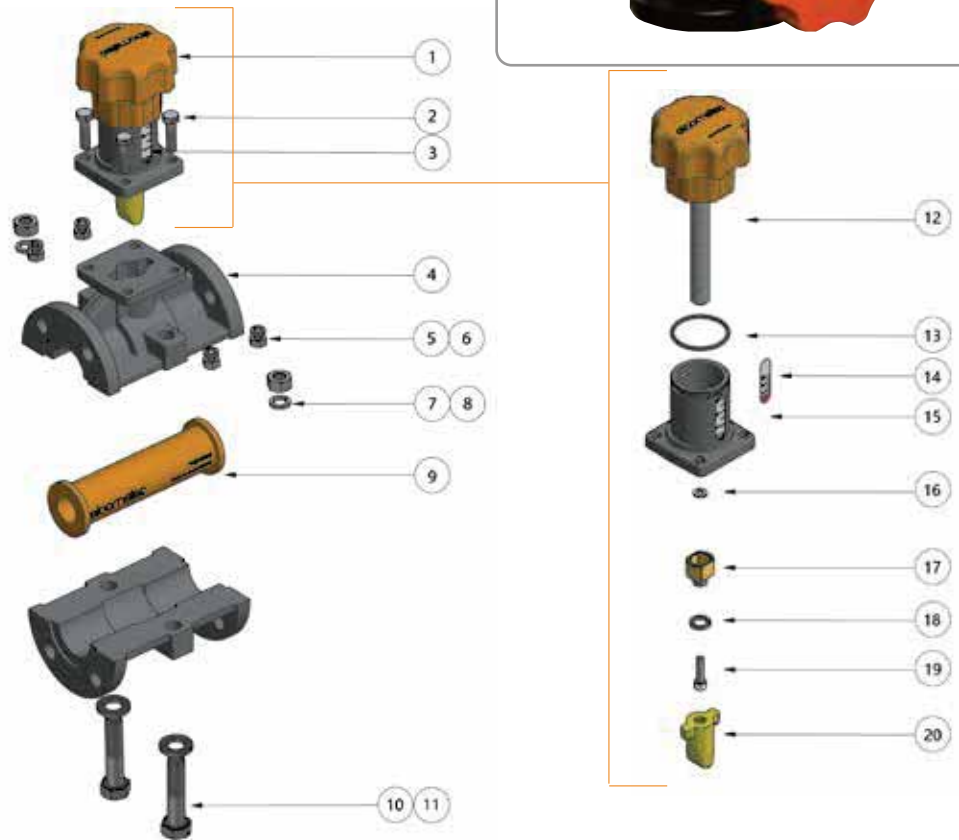
Part Number	Description
GVAGV-KIT	GV-AGV Conversion Kit

Elcometer General Valve

Elcometer GV

Technical Specification

Part Number	Description
GV-B	Elcometer General Valve - BSP Thread



Spare Parts

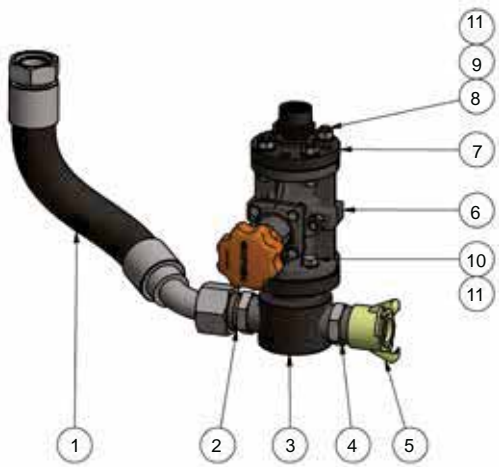
Item	Part Number	Description	Item	Part Number	Description
1	MT28557	GV Valve Stem Assembly	11	KIT 2	M12 x 70 Zinc Plated Hex Bolt (x2)
2	KIT 1	M8 x 30 Zinc Plated Hex Head Bolt (x4)	12	MT30166	GV Valve Handwheel & Shaft
3	Kit 3	GV Valve Indicator Label	13	KIT 3	O Ring 3mm Cord x 44.5 ID
4	MT29993	GV Valve Housing Body	14	KIT 3	General Valve Indicator Label
5	KIT 1	M8 Steel Spring Washer (x4)	15	MT30076	Grit Valve Stem Housing
6	KIT 1	M8 Zinc Plated Steel Nut (x4)	16	KIT 3	M6 Flat Nylon Washer
7	KIT 2	M12 Steel Spring Washer (x2)	17	MT30077	Valve Nut
8	KIT 2	M12 Zinc Plated Steel Nut (x2)	18	KIT 3	M12 Steel Spring Washer
9	GV-LINER1	Rubber Valve Liner	19	KIT 3	M6 x 25 Cap HD SKT Screw, ST STL
10	KIT 2	M12 Zinc Plated Steel Washer (x2)	20	MT30001	Valve Plunger

Service Kits

Part Number	Description
MT30049	GV Service Kit 1 (contains items 2, 5 & 6)
MT30045	GV Service Kit 2 (contains items 7, 8, 10 & 11)
MT30050	GV Service Kit 3 (contains items 13, 14, 16, 18 & 19)

Elcometer GV

Elcometer General Valve Pusher Line Assembly



Technical Specification

Operating Temperature	0° to 60°C
Max Working Pressure (WP)	15bar (217psi)

Part Numbers

Part Number	Description
MT30066-1	Elcometer 1440 Full GV Assembly complete with Pusher Line, Mixer T, GV General Valve, Pot Flange, Pot Coupling & Airline Assembly
MT30066-2	Elcometer 1460 Full GV Assembly complete with Pusher Line, Mixer T, GV General Valve, Pot Flange, Pot Coupling & Airline Assembly
MT30066-3	Elcometer 20100 Full GV Assembly complete with Pusher Line, Mixer T, GV General Valve, Pot Flange, Pot Coupling & Airline Assembly
MT30066-4	Elcometer 24200 Full GV Assembly complete with Pusher Line, Mixer T, GV General Valve, Pot Flange, Pot Coupling & Airline Assembly
MT30066-5	Elcometer 24285 Full GV Assembly complete with Pusher Line, Mixer T, GV General Valve, Pot Flange, Pot Coupling & Airline Assembly

Spare Parts

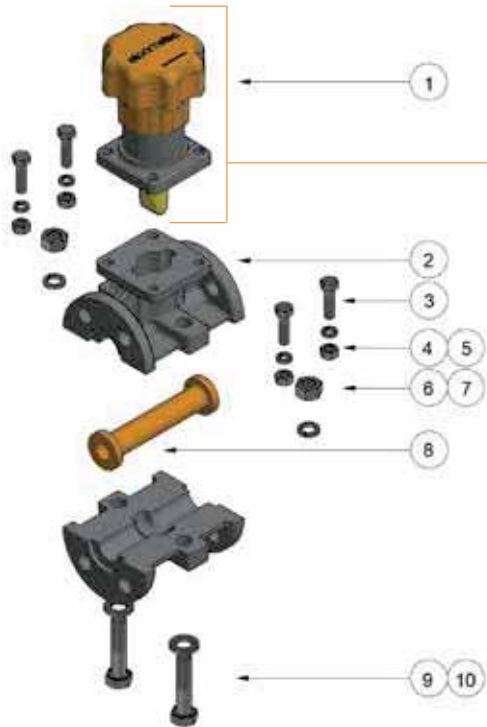
Item	Description	Part Number				
		Model 1440	Model 1460	Model 20100	Model 24200	Model 24285
1	1 ½" 15bar Pusher Line Assembly complete with Swaged Hose	MT28609-1	MT28609-3	MT28609-5	MT28609-6	MT28609-6
2	1 ½" Male/Male BSP Adaptor - 60° Cone			MT29710		
3	1 ½" Mixer T			MT28553		
4	1 ½" BSP Forged Hex Nipple 3000lb			MT29014		
5	1 ½" BSP Claw Coupling			MT30002		
6	GV Main Assembly			GV-B		
7	1 ¼" to 1" Reducing Nipple Flange Assembly			MT28552		
8	M12 x 50 Zinc Plated Hex Bolt (x4)			KIT 5		
9	M12 Zinc Plated Steel Nut (x4)			KIT 5		
10	M12 x 40 Zinc Plated Hex Bolt (x4)			KIT 5		
11	M12 Zinc Plated Steel Washer Grade A (x12)			KIT 5		
	GV Service Kit 5 (contains items 8, 9, 10 & 11)			MT30048		

Elcometer Mini General Valve

Elcometer MGV

Technical Specification

Part Number	Description
MGV-B	Elcometer Mini Flat Valve for use with Elcometer 1020 - BSP Thread



Spare Parts

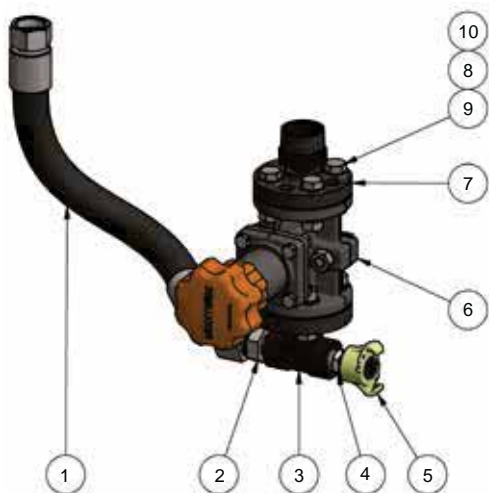
Item	Part Number	Description	Item	Part Number	Description
1	MT28541	Mini General Valve Stem Assembly	11	MT30167	MGV Valve Handwheel & Shaft
2	MT30003	Mini General Valve Housing Body	12	KIT 3	O Ring 3mm Cord x 44.5 ID
3	KIT 1	M8 x 30 Zinc Plated Hex Head Bolt (x4)	13	MT30076	MGV Stem Housing
4	KIT 1	M8 Zinc Plated Steel Nut (x4)	14	KIT 3	Mini General Valve Indicator Label
5	KIT 1	M8 Steel Spring Washer (x4)	15	KIT 3	M6 Flat Nylon Washer
6	KIT 2	M12 Zinc Plated Steel Nut (x2)	16	MT30077	Valve Nut
7	KIT 2	M12 Steel Spring (x2)	17	KIT 3	M12 Steel Spring Washer
8	MGV-LINER1	Mini Rubber Valve Liner	18	KIT 3	M6 x 25 Cap HD SKT Screw, ST STL
9	KIT 2	M12 x 50 Zinc Plated Hex Bolt (x2)	19	MT30005	Mini Valve Plunger
10	KIT 2	M12 Zinc Plated Steel Washer Grade A (x2)			

Service Kits

Part Number	Description
MT30049	MGV Service Kit 1 (contains items 3, 4 & 5)
MT30046	MGV Service Kit 2 (contains items 6, 7, 9 & 10)
MT30051	MGV Service Kit 3 (contains items 12, 14, 15, 17 & 18)

Elcometer MGV

Elcometer Mini General Valve Pusher Line Assembly



Technical Specification

Operating Temperature	0° to 60°C
Max Working Pressure (WP)	15bar (217psi)

Part Numbers

Part Number	Description
MT30067	Elcometer 1020 Full MGV Assembly complete with Pusher Line, Mixer T, MGV Mini General Valve, Pot Flange, Pot Coupling & Airline Assembly

Spare Parts

Item	Part Number	Description
1	MT28608-1	¾" 15bar Pusher Line Assembly complete with Swaged Hose
2	MT28540	¾" BSP 60° Cone x ½" Adaptor
3	MT29246	½" Flanged Equal T Assembly
4	MT29224	½" BSP Forged Hex Nipple 3000lb
5	MT30090	½" BSP Claw Coupling
6	MGV-B	MGV Main Assembly
7	MT28536	1 ¼" to ½" Reducing Nipple Flange Assembly
8	KIT 4	M12 Zinc Plated Steel Nut (x8)
9	KIT 4	M12 x 45 Zinc Plated Hex Bolt (x8)
10	KIT 4	M12 Zinc Plated Steel Washer Grade A (x16)
	MT30052	MGV Service Kit 4 (contains items 8, 9 & 10)