

Elcometer RCV4000
Remote Control Valve

Elcometer RCV4000 Remote Control Valves are used to safely pressurise and depressurise abrasive blast machines at the blast nozzle using a deadman's handle.

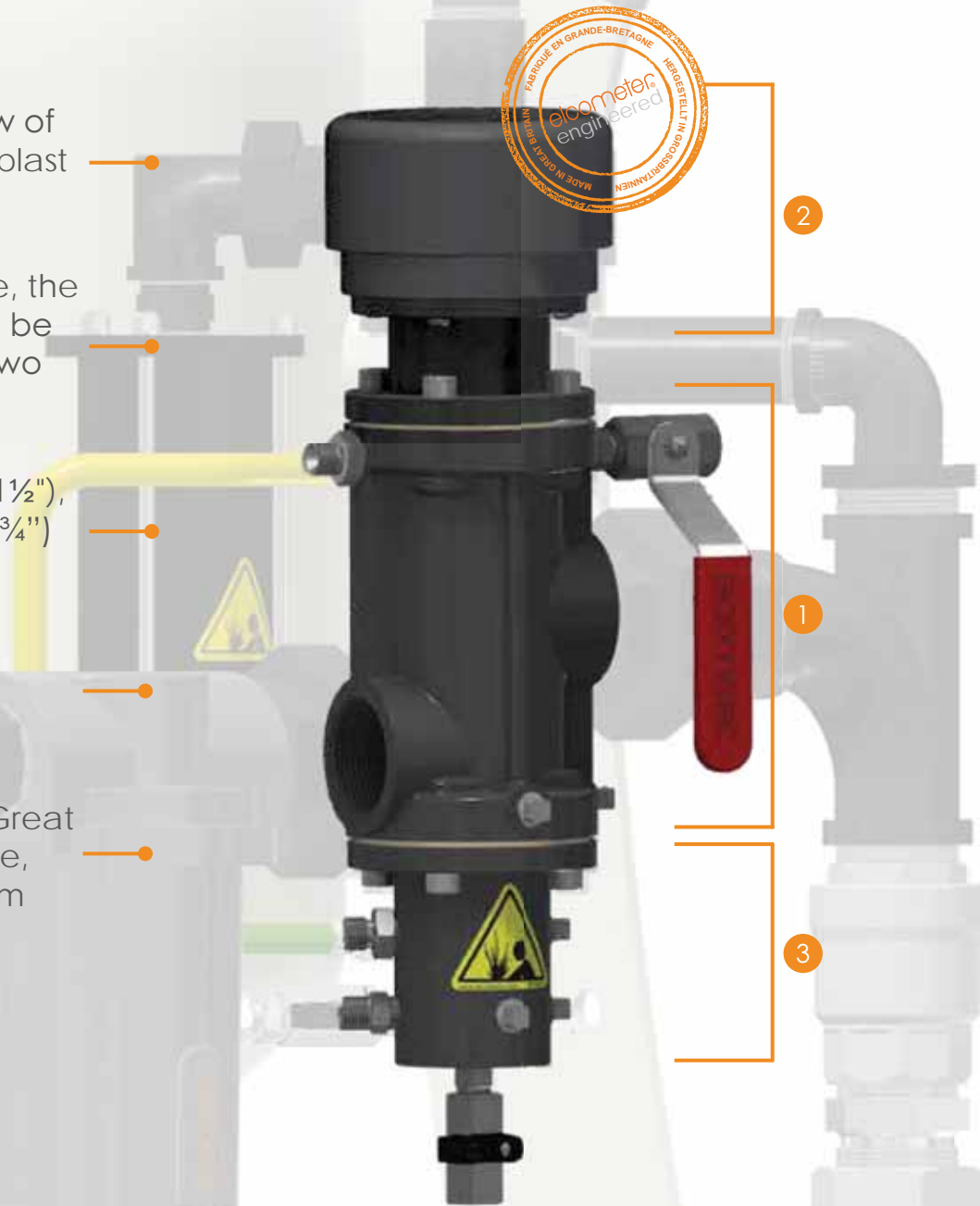
Quickly cuts off the flow of compressed air to the blast hose

Easy and fast to service, the whole RCV system can be removed by undoing two unions joints

Available with 38mm (1½"), 32mm (1¼") or 19mm (¾") versions

RCV4000+ includes air manifold for ancillary equipment

Designed and built in Great Britain out of high grade, non-corrosive aluminium

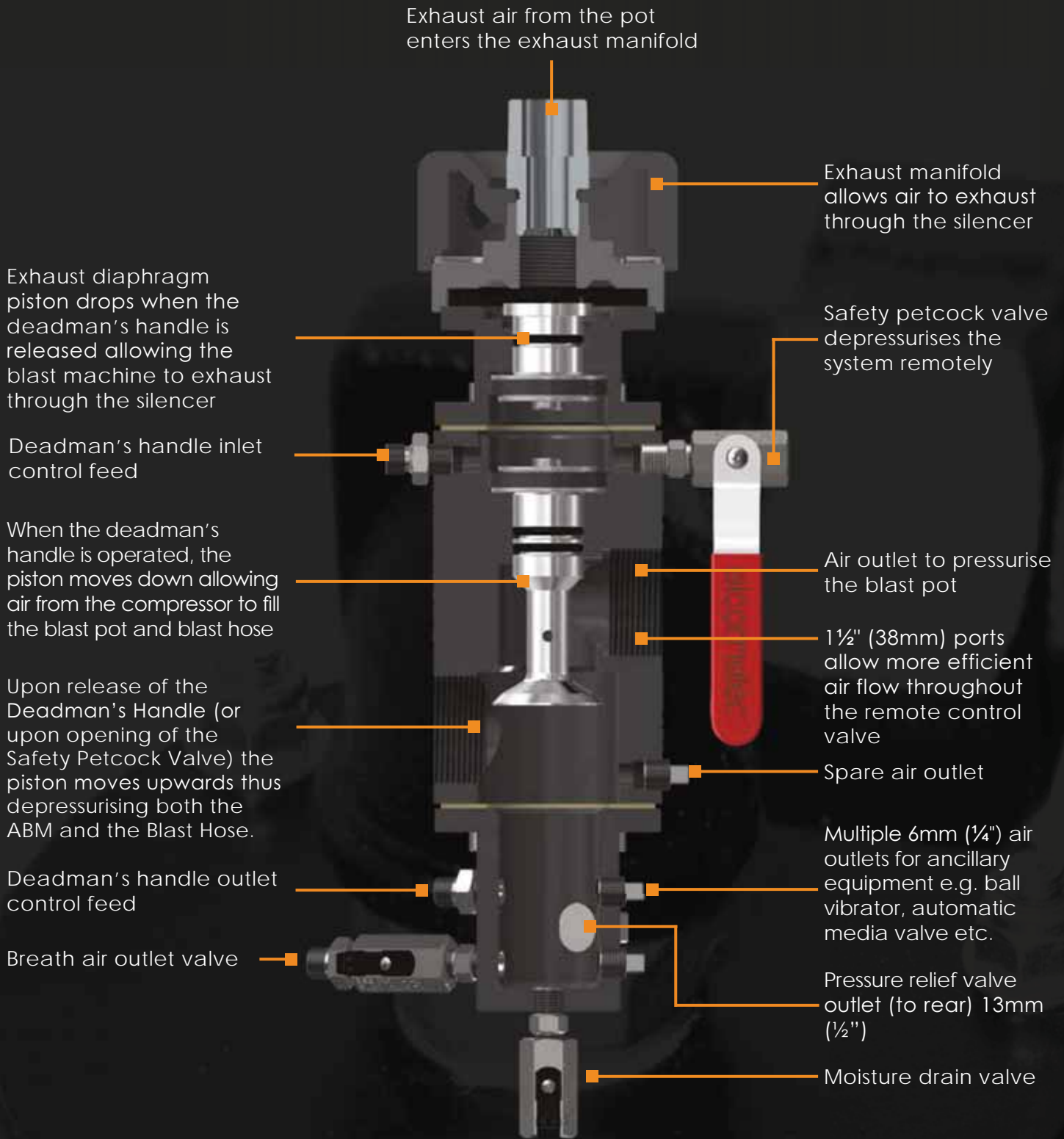


The Elcometer RCV4000+ is made up of 3 component parts:

- ① Control Valve
- ② Exhaust Valve
- ③ Air Manifold

Elcometer RCV4000
Remote Control Valve

Thanks to Elcometer's state-of-the-art range of RCV4000 Pneumatic Remote Control Valves, our blast machines can be safely controlled at the nozzle, delivering precision control with maximum efficiency.



With a universal fit to all blast machines with remote control valve ports, the Elcometer RCV4000 Remote Control Valve offers high performance, reliability and is easy to service out in the field.

Safe Control

Used with a deadman's handle, the Elcometer RCV4000 with immediate start/stop, allows you to safely control the blast stream at the nozzle.



Performs Under Pressure

The state-of-the-art Elcometer RCV4000 Remote Control Valve's 1½" (38mm) diameter design reduces pressure loss by maximising the air flow efficiency through the valve.



Fast

The built-in heavy duty exhaust valve with reinforced elbow ensures fast and safe shut down. The durable Elcometer Exhaust Silencer traps small abrasive particles present in the air as it exits the abrasive blast machine during depressurisation.



Easy to Service

When you are not blasting, you are not earning, that's why the Elcometer RCV4000 Remote Control Valve is extremely easy to service and the whole system can be swapped out by undoing just two union joints. So whilst the assembly is being serviced, you can carry on blasting.



Universal

The Elcometer RCV4000 doesn't just work with Elcometer's blast machines, its universal fit ensures it can be easily attached to other shot blast machines using remote control valves.

Elcometer RCV4000+ Remote Control Valve

Elcometer RCV4000+



Elcometer RCV4000+ with Air Manifold

The RCV4000+ Remote Control Valve incorporates two valves in one unit, the lower unit controls the compressed air inlet and the upper unit controls the exhaust outlet as air exits the abrasive blast machine.

A constant flow of compressed air is supplied to the unit at the lower 38mm (1½") port 'air inlet'. The air is then released through the 38mm (1½") 'air outlet' to the blast machine and blast hose. This is controlled via a pneumatic deadman's handle which is connected to the 6mm (¼") inlet and outlet on the side of the valve. The deadman's handle is connected to the unit via two airline hoses (known as twinline).

Closing the deadman's handle lever activates the two valves simultaneously. Releasing the deadman's handle deactivates the RCV4000+ immediately. The abrasive blast machine can also be depressurised by opening the red safety petcock on the RCV4000 valve body. This acts like an emergency stop for the system.

The Elcometer RCV4000+ comes with an integrated air manifold with multiple air outlets, allowing you to attach ancillary equipment, such as pressure gauges to monitor your compressed air pressure, ball vibration units to fluidise the media flow and air supply for your breathe air filter and pressure relief valve.

Available in 3 versions ¾" (19mm) for use with the Elcometer 1020 Blast Machine, 1½" (38mm) for use with larger Elcometer blast machines and the 1¼" (32mm) for use with other blast machines.

Part Numbers

Part Number	Description
RCV4000P-75B	¾" (19mm) RCV4000+ Remote Control Valve for use with Elcometer 1020 Blast Machines
RCV4000P-150B	1½" (38mm) RCV4000+ Remote Control Valve for all other Elcometer Blast Machines
RCV4000P-125B	1¼" (32mm) RCV4000+ Remote Control Valve

Elcometer RCV4000 Remote Control Valve

Elcometer RCV4000



The fail-safe Elcometer RCV4000 Remote Control Valve with base plate and moisture relief valve allows you to pressurise and depressurise a blast machine safely and quickly.

It is universal and will fit to all blast machines with a remote control valve port, meaning that you can benefit from the high cfm performance and fast response without having to replace the entire blast machine. The RCV4000 is available with 32mm (1¼") ports.

Bestellnummern

Bestellnummer	Beschreibung
RCV4000-125B	1¼" (32mm) RCV4000 Remote Control Valve

Elcometer RCV4000

Elcometer RCV4000 Exhaust Manifold

The high performance Elcometer RCV4000 Exhaust Manifold quickly and safely allows the blast machine to depressurise, letting the compressed air exhaust through the exhaust silencer. Connected to the remote control valve with four bolts, its unique design allows you to orientate the exhaust silencer.



Part Numbers

Part Number	Description
MT28591	Elcometer RCV4000 Exhaust Manifold Assembly

Spare Parts

Part Number	Description
MT28590	Elcometer RCV4000 Exhaust Valve

Elcometer RCV4000

Elcometer RCV4000 Air Manifold

The unique design of the Elcometer RCV4000 Air Manifold provides users with more air supply ports to power ancillary equipment such as air filters etc. and allows you to attach air feed pressure gauges and pressure relief valves. It also prevents moisture build up in the pistons on the RCV.

- 4 x 6mm (1/4") air outlets
- 1 x 13mm (1/2") pressure relief valve outlet (see page 4-2 for our certified pressure relief valves)



Part Numbers

Part Number	Description
MT28604	Elcometer RCV4000 Air Manifold Assembly

Elcometer RCV4000

Elcometer RCV4000 Base Plate

Designed for use with the Elcometer RCV4000 Remote Control Valve, the base plate attaches to the bottom of the remote control valve, in place of the air manifold.



Part Numbers

Part Number	Description
MT30084	Elcometer RCV4000 Base Plate

Elcometer RCV4000

Elcometer RCV4000 Exhaust Silencer

The **Elcometer RCV4000 Exhaust Silencer** reduces the noise level of compressed air as it exhausts from the blast machine.

Rugged silencer, with a choice of plastic or metal replacement silencer cartridges

Easy and fast to dismantle for servicing



Part Numbers

Part Number	Description
MT28597	Elcometer RCV4000 Exhaust Silencer complete with Plastic Silencer Cartridge

Spare Parts

Part Number	Description
MT28598	Replacement Exhaust Silencer Cartridge - Plastic
MT30028	Replacement Exhaust Silencer Cartridge - Metal
MT28599	¾" (19mm) Reinforced Union Elbow

Elcometer RCV4000

Elcometer RCV4000 Exhaust T



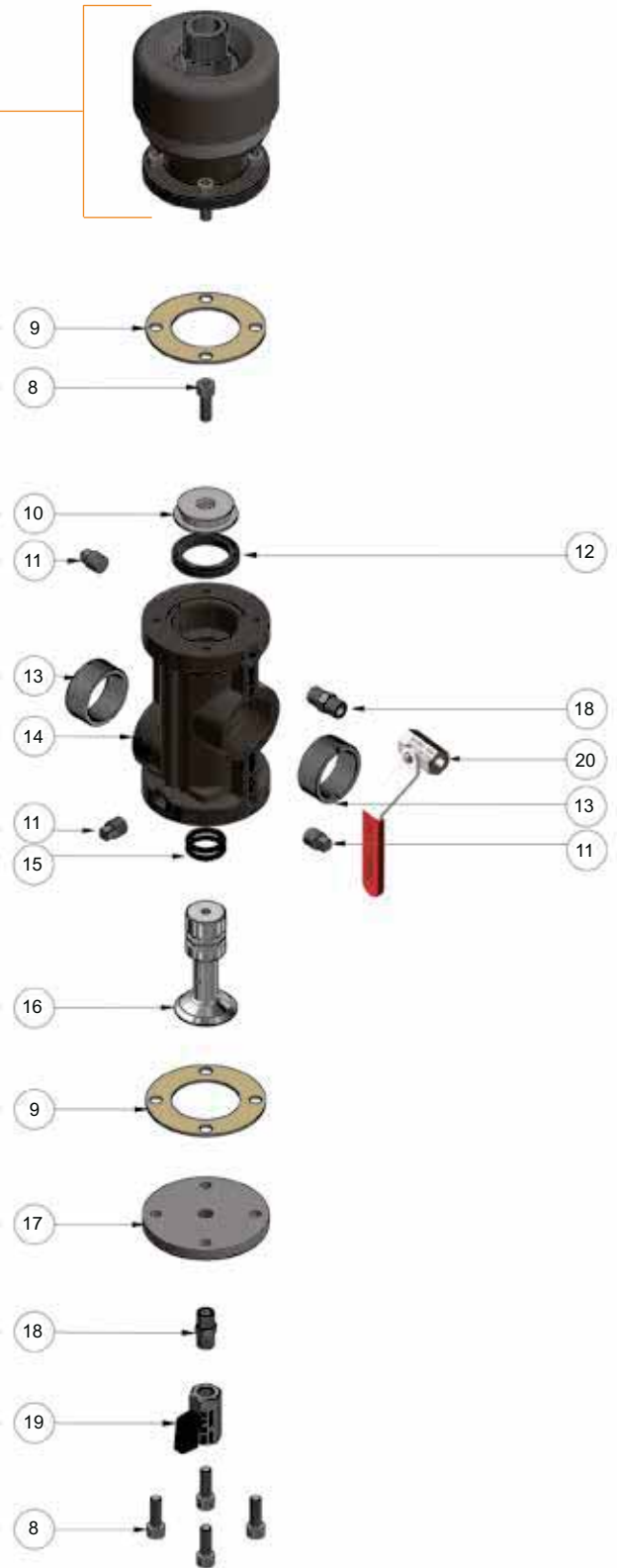
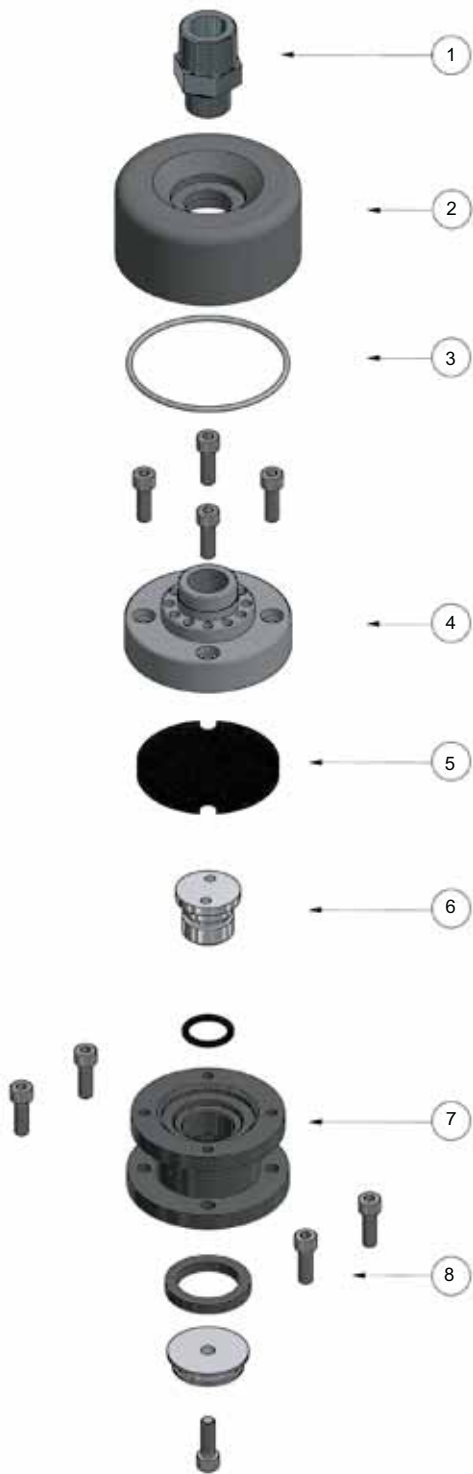
Elcometer's Exhaust Ts are fitted with a sacrificial wearplate nut that can be replaced in seconds so you do not have to replace the entire Exhaust T.

Part Numbers

Part Number	Description
MT29680	1" (25mm) Exhaust T Assembly (complete with MT29681 Exhaust Plug)
MT29681	Replacement Exhaust Plug

Elcometer RCV4000 Exhaust Manifold

Elcometer RCV4000 Remote Control Valve



Elcometer RCV4000+ Remote Control Valve

Elcometer Remote Control Valve Exhaust Manifold



Part Numbers

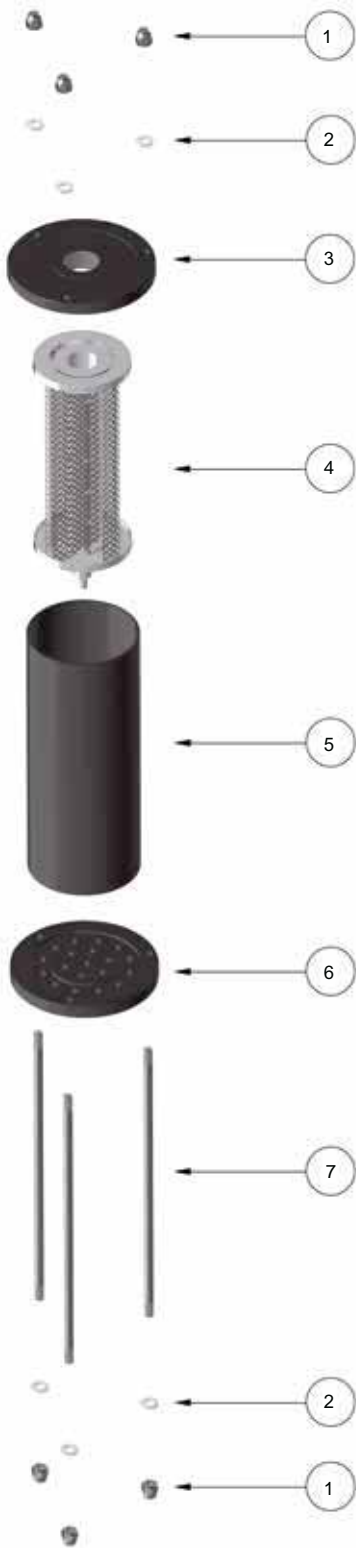
Part Number	Description
MT28591	Elcometer RCV4000 Exhaust Manifold Assembly
RCV4000-125B	1.25" RCV4000 Remote Control Valve
RCV4000P-75B	0.75" RCV4000+ Remote Control Valve for use with Elcometer 1020 Blast Machines
RCV4000P-150B	1.50" RCV4000+ Remote Control Valve for all other Elcometer Blast Machines
RCV4000P-125B	1.25" RCV4000+ Remote Control Valve
MT28604	Elcometer RCV4000 Air Manifold Assembly

Spare Parts

Item	Part Number	Description
1	MT30022	Male Adaptor ¾" BSP to 1" BSP
2	MT30023	Bleed-Off Manifold (BSP)
3	KIT 1	O Ring BS4518 89.5 ID x 3.0 Cord
4	MT30024	Top Cover (BSP)
5	KIT 1	Rubber Valve Seat
6	MT30025	Bleed-Off Valve
7	MT30026	Bleed-Off Cylinder Housing
8	KIT 2	M8 x 25 Hex Socket Cap Screws (x8)
9	KIT 1	Gasket 90mm OD x 52 ID x 2mm Thick (x2)
10	MT30081	Piston
11	MT28596	¼" Square Head BSP ST/ST Plug (x2)
12	KIT 1	Piston Lip Seal 38 x 50 x 6 (x2)
13	MT28594	1½" x 1¼" BSP Reducing Bush
14	MT30082	Remote Control Valve Body
15	KIT 1	O Ring 3.53 Cord x 23.29 ID (x3)
16	MT30083	Inlet Valve
17	MT30084	Base Plate (BSP)
18	MT30085	¼" BSP Male Adaptor, Pneumatic
19	MT28619	¼" HP Ball Valve Female - Black Handle
20	MT29656	Petcock - ¼"HP Ball Valve Female - Red
21	MT30086	¼" BSP 60° Cone x ¼" BSP Male Adaptor
22	MT30087	RCV Manifold
23	MT30099	½" BSP Plug Solid
-	KIT 3	Allen Key
-	KIT 3	RCV Tool
-	MT30055	RCV Service Kit 1 (contains items 3, 5, 9, 12 & 15)
-	MT30056	RCV Service Kit 2 (contains item 8)
-	MT30072	RCV Service Kit 3
-	MT28605	RCV Service Kit 4 (contains items 11 & 23)

Elcometer RCV4000

Exhaust Silencer



Part Numbers

Part Number	Description
MT28597	Elcometer Standard Exhaust Silencer Assembly

Spare Parts

Item	Part Number	Description
1	KIT 1	M6 Dome Nut (x6)
2	KIT 1	M6 Washer (x6)
3	MT30027	Exhaust Silencer Top Cover BSP
4	MT28598	Exhaust Silencer Cartridge - Plastic
-	MT30028	Exhaust Silencer Cartridge - Metal
5	MT30029	Exhaust Silencer Housing
6	MT30030	Exhaust Silencer Bottom Cover Plate
7	KIT 1	M6 x 220 Tie Bar (x3)
-	MT30057	SES Service Kit 1 (contains items 1, 2 & 7)

